



## Ex wireless command device

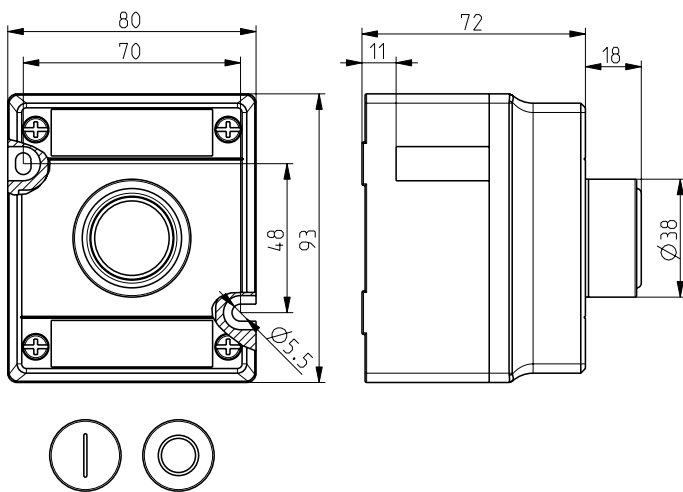
Ex RF BF 80 1 DT EN868

Material number: 1186769 (Material number old: 6810013101)

### Features/Options:

- Ex zone 1 and 21
- Polyester resin enclosure
- Output signal can be individually configured at the receiver
- EnOcean® wireless technology
- No power supply, no wiring and pipe laying required
- Multi-network capable
- Easy programming of receiver
- Actuator: Push button DT
- 2 push-button plates included in the scope of delivery

### Dimensions



### Technical data

Applied standards	EN 60947-5-1, EN 60079-0, EN 60079-11, EN 61000-6-1, EN 61000-2, EN 61000-3, EN 61000-4, EN 301 489-1, EN 301 489-3, EN 300 220-2
Enclosure	polyester resin, glass-fibre reinforced
Degree of protection	IP 65 to IEC/EN 60529
Protocol	EnOcean®
Frequency	868.3 MHz (Europe)
Transmission power	< 25 mW
Data rate	120 kbps
Channel bandwidth	530 kHz
Voltage supply	electrodynamic energy generator
Ambient temperature	-20 °C ... +60 °C
Operation cycles	approx. 9000 telegrams with repetitions/h
Wireless range	max. 300 m outside, max. 30 m inside
Actuating time	min. 80 ms
Mechanical life	> 1 million operations
Impact energy	max. 7 J
Note	no status signal available
Ex marking	Ⓜ II 2G Ex ib IIC T6 Gb Ⓜ II 2D Ex ib IIIC T80 °C Db IECEx Ex ib IIC T6 Gb Ex ib IIIC T80 °C Db
Approvals	BVS 10 ATEX E 075 IECEX BVS 12.0020
Weight	320 g

Errors and omissions excepted.